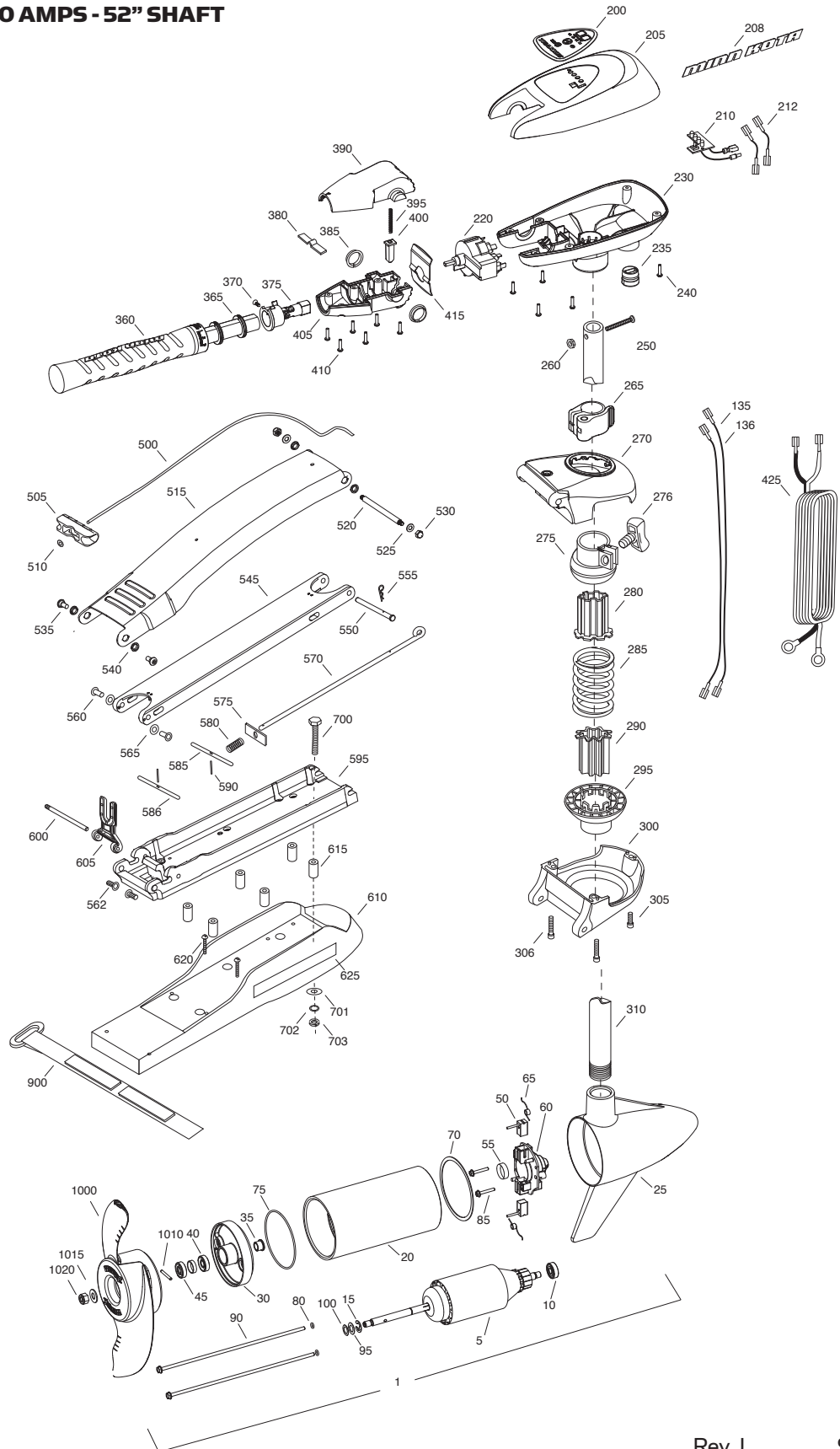


# PARTS DIAGRAM

for use with "Q" serial numbers 2-year warranty

## MAXXUM 55 HC/SC

55 LBS THRUST - 12 VOLT - 50 AMPS - 52" SHAFT



# PARTS LIST

## MAXXUM 55 HC/SC

### 55 LBS THRUST - 12 VOLT - 52" SHAFT

ITEM	QTY	PART NUMBER	DESCRIPTION
1	1	2097077	12V MOTOR 36" FW
5	1	2-100-121	ARMATURE ASSEMBLY
10	1	140-010	BEARING
15	1	788-015	RETAINING RING
20	1	2-200-101	CENTER HOUSING ASSEMBLY
25	1	2-300-199	BRUSH END HOUSING ASSEMBLY
30	1	2-400-101	PLAIN END HOUSING ASSEMBLY
35	1	144-049	FLANGE BEARING
40	1	880-003	SEAL
45	1	880-006	SEAL WITH SHIELD
50	2	188-036	BRUSH
55	1	725-050	PAPER TUBE
60	1	738-036	BRUSH PLATE ASSEMBLY
65	2	975-040	BRUSH SPRING
70	1	337-036	GASKET
75	1	701-081	O-RING, MOTOR
80	2	701-008	O-RING, THRU-BOLT
85	2	830-007	SCREW, 8-32
90	2	830-042	THRU-BOLT
95	2	990-067	WASHER, STEEL
100	2	990-070	WASHER, NYLATRON
135	1	640-006	LEADWIRE, BLACK
136	1	640-115	LEADWIRE, RED
■		2888460	SEAL AND O-RING KIT
200	1	2185613	DECAL, C-BOX COVER
205	1	2060295	C-BOX COVER
208	2	2325665	DECAL - MINNKOTA
210	1	2074070	BATTERY METER, 12V FW
212	1	2070304	WIRE, BATTERY METER BLK, 7"
	1	2070305	WIRE, BATTERY METER RED, 7"
220	1	2064028	SWITCH 5 SPEED
230	1	2062505	CONTROL BOX, 5 SPD, FW
235	1	2062905	STRAIN RELIEF
240	6	2303412	SCREW, #6 X 5/8 SS
250	1	2383407	SCREW, #10-24 X 2 SS
260	1	2383124	NUT, 10-24, NYLOCK, SS
265	1	2991521	CAM LOCK/DEPTH COLLAR ASSY
■	1	2991760	BOWGUARD ASSEMBLY [270-306]
270	1	2261976	BRACKET, TOP
275	1	2261525	SPRING SLEEVE, UPPER
276	1	2011365	KNOB, COLLAR
280	2	2264702	TUBE INSERT, BOWMOUNT
285	1	2262711	SPRING, BOWGUARD
295	1	2261535	SPRING SLEEVE, LOWER
300	1	2991775	BRACKET ASSY, BOTTOM
305	1	2263423	SCREW, 5/16 X 1" SHCS ZP
306	2	2263425	SCREW, 5/16 X 2.5" SHCS ZP
310	1	2032068	TUBE COMPOSITE 52"
■	1	2990956	HANDLE ASSY, 5SPD [360-410]
360	1	2990451	GRIP/HANDLE ASSY, 5SPD [360-375]
365	2	2060015	BEARING, HANDLE
370	1	2063405	SCREW, #6 PFH SS

ITEM	QTY	PART NUMBER	DESCRIPTION
375	1	2884091	YOKE / SPIDER ASSY, 5SPD
380	1	2302742	SPRING, DETENT, OFF
385	2	2060005	BEARING, HANDLE PIVOT
390	1	2060900	HANDLE PIVOT, TOP
395	1	2302745	SPRING, RELEASE BUTTON
400	1	2063700	BUTTON, RELEASE
405	1	2060905	HANDLE PIVOT, BOTTOM
410	6	2303412	SCREW, #6 X 5/8 SS
415	1	2062715	SPRING, HANDLE PIVOT
425	1	2992522	LEADWIRE ASSY
■	1	2991840	MOUNT, BOW ASSY W/ BOWGUARD (270-306) (500-625)
500	1	2251601	ROPE
505	1	2150400	PULL GRIP
510	1	2151700	WASHER
515	1	2264241	ARM, UPPER, STD, FW
520	1	2262605	PIN, BOWGUARD, UPPER
525	2	9908236	WASHER, 1/4", ZP
530	2	2223100	NUT, 5/16-18 SS
535	2	2263500	BOLT, SHOULDER
540	2	2293501	BUSHING, SS
545	1	2994307	ARM, LOWER, STD, FW
550	1	2262607	PIN, CLEVIS ZP
555	1	2260805	SPRING, CLIP
560	2	2261318	BUSHING, NYLINER
562	2	2261540	INSERT-THREADED BOWPLATE
565	2	2261708	WASHER, SPACER, .010 THK
570	1	2153602	EYESHAFT, ZP
575	1	2262703	SPRING STOP
580	1	2152700	SPRING, LOCK BAR
585	1	2233622	LOCK BAR, FRONT, ZP
586	1	2233620	LOCK BAR, BACK, ZP
590	2	2152610	SPRING PIN
595	1	2773987	BOWPLATE W/ INSERT, STD, FW
600	1	2260506	HINGE PIN, ZP
605	1	2293811	YOKE, MAX
610	1	2263912	MOTOR REST, STD, FW
615	6	2261505	SPACER, MOTOR REST
620	2	2263434	SCREW, #8, SS
625	2	2265514	DECAL, MOTOR REST
■	1	2994830	BAG ASSEMBLY
700	6	2263431	SCREW, 1/4-20 X 3 1/2" PPH, SS
701	6	2301720	WASHER, RUBBER MOUNTING
702	6	2261713	WASHER, 1/4 SS
703	6	2263101	NUT, 1/4-20 NYLOCK, SS
900	1	2263804	STRAP, HOLD DOWN
■		1378131	PROPELLER KIT WW2
■		2994875	PROPELLER BAG ASSY
1000	1	2091160	PROPELLER WW2
1010	1	2092600	DRIVE PIN, SMALL
1015	1	2151726	WASHER, PROP, SMALL
1020	1	2053101	NUT, NYLOCK, PROP, SMALL

■ THIS ITEM IS PART OF AN ASSEMBLY.

\*THIS ITEM IS PART OF A KIT AND ONLY LISTED FOR VIEWING PURPOSES.

# MOTOR WIRING GUIDE

**NOTE:** This is a universal, multi-voltage diagram. Double-check your motor's voltage for proper connections. Over-Current Protection Devices not shown in this illustration.

Maxxum 55 is 12-volts only!

## FIVE-SPEED SWITCH

